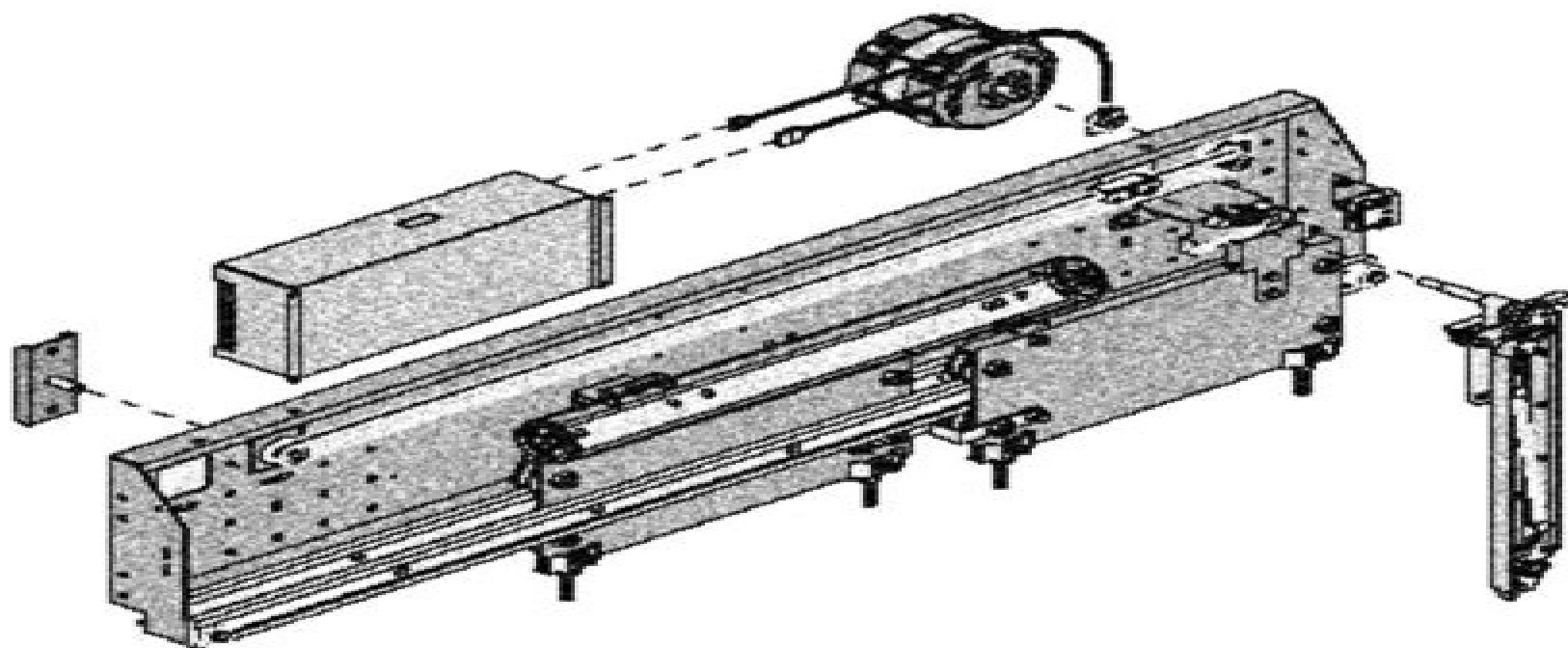


# Fermator

## ***TECHNICAL MANUAL AND ELECTRONICAL MODULE REGULATION VVVF-3***



TECNOLAMA reserves the rights in modifying the products specifications of this technical brochure without any previous advise.



# Fermator Door Vwvf Manual

**Genie Home Products, Inc**



**Fermator Door Vvuf Manual:**

**Open The Door** Michael Bübl,2017    Open the Door - Classic Michael Bübl,2006    **Genie Automatic Garage Door Opener System, Owner's Manual, Model GS 850** Genie Home Products, Inc,1985    **Dor-O-Matic** Dor-O-Matic (Firm).,1955    **Ro-Way Over-head Type Doors** ,1947 Installation and operational manual for overhead door No 40A Also includes price lists and parts lists    *Genie Trac-drive Automatic Garage Door Opener System, Model GS-975, Owners Manual* Genie Home Products, Inc,1985    *Electric Door Operators* Vemco products, inc,1969    *Door & Operator Dealers Association Safety Manual* Door & Operator Dealers Association,1990    **First Windows and Doors Specifier Manual** First Windows and Doors Ltd,2006    *Murphy's Blue Print Manual* Murphy Door Bed Company,1925    Automatic Door Systems Besam, Inc,1994    Genie Screw Drive Automatic Garage Door Opener Systems Service Manual, Models 980, 9800, 880, 8800, 8600, 850, 820, 8200, 800, 429 Genie Home Products, Inc,198?    Manual of Revolving Door Construction and Architectural Design with Architects' Standard Specifications Van Kannel Revolving Door Company,1923    **Genie Chain Drive Automatic Garage Door Opener Systems Service Manual, Models 99, 129, 229, and 130** Genie Home Products, Inc,198?    **Building Openings Construction Manual** Jan Cremers,2016    *Genie Lift-a-dor Trac-drive System Automatic Garage Door Opener System by Alliance, Models LAD 250, LAD 810, LAD 940, Owner's Manual* Alliance Manufacturing Company,1983    **Manual of revolving door construction and architectural design with architects' standards for specifications** Van Kannel Revolving Door Company, New York,1923    **Door Closer Repair Manual, Volume One** ,1970    **U-install Garage Door Openers Owner's Manual** Stanley Home Automation (Firm).,1993  
*Door Closer Repair Manual* ,1970

The book delves into Fermator Door Vvfv Manual. Fermator Door Vvfv Manual is an essential topic that must be grasped by everyone, ranging from students and scholars to the general public. The book will furnish comprehensive and in-depth insights into Fermator Door Vvfv Manual, encompassing both the fundamentals and more intricate discussions.

1. The book is structured into several chapters, namely:
  - Chapter 1: Introduction to Fermator Door Vvfv Manual
  - Chapter 2: Essential Elements of Fermator Door Vvfv Manual
  - Chapter 3: Fermator Door Vvfv Manual in Everyday Life
  - Chapter 4: Fermator Door Vvfv Manual in Specific Contexts
  - Chapter 5: Conclusion
2. In chapter 1, the author will provide an overview of Fermator Door Vvfv Manual. The first chapter will explore what Fermator Door Vvfv Manual is, why Fermator Door Vvfv Manual is vital, and how to effectively learn about Fermator Door Vvfv Manual.
3. In chapter 2, the author will delve into the foundational concepts of Fermator Door Vvfv Manual. This chapter will elucidate the essential principles that must be understood to grasp Fermator Door Vvfv Manual in its entirety.
4. In chapter 3, this book will examine the practical applications of Fermator Door Vvfv Manual in daily life. This chapter will showcase real-world examples of how Fermator Door Vvfv Manual can be effectively utilized in everyday scenarios.
5. In chapter 4, this book will scrutinize the relevance of Fermator Door Vvfv Manual in specific contexts. This chapter will explore how Fermator Door Vvfv Manual is applied in specialized fields, such as education, business, and technology.
6. In chapter 5, this book will draw a conclusion about Fermator Door Vvfv Manual. The final chapter will summarize the key points that have been discussed throughout the book.

This book is crafted in an easy-to-understand language and is complemented by engaging illustrations. It is highly recommended for anyone seeking to gain a comprehensive understanding of Fermator Door Vvfv Manual.

[https://gcbdc1vmdellome.gulfbank.com/results/browse/fetch.php/dorina\\_de\\_vredestichter.pdf](https://gcbdc1vmdellome.gulfbank.com/results/browse/fetch.php/dorina_de_vredestichter.pdf)

## **Table of Contents Fermator Door Vvfv Manual**

1. Understanding the eBook Fermator Door Vvfv Manual

- The Rise of Digital Reading Fermator Door Vvuf Manual
- Advantages of eBooks Over Traditional Books
- 2. Identifying Fermator Door Vvuf Manual
  - Exploring Different Genres
  - Considering Fiction vs. Non-Fiction
  - Determining Your Reading Goals
- 3. Choosing the Right eBook Platform
  - Popular eBook Platforms
  - Features to Look for in an Fermator Door Vvuf Manual
  - User-Friendly Interface
- 4. Exploring eBook Recommendations from Fermator Door Vvuf Manual
  - Personalized Recommendations
  - Fermator Door Vvuf Manual User Reviews and Ratings
  - Fermator Door Vvuf Manual and Bestseller Lists
- 5. Accessing Fermator Door Vvuf Manual Free and Paid eBooks
  - Fermator Door Vvuf Manual Public Domain eBooks
  - Fermator Door Vvuf Manual eBook Subscription Services
  - Fermator Door Vvuf Manual Budget-Friendly Options
- 6. Navigating Fermator Door Vvuf Manual eBook Formats
  - ePub, PDF, MOBI, and More
  - Fermator Door Vvuf Manual Compatibility with Devices
  - Fermator Door Vvuf Manual Enhanced eBook Features
- 7. Enhancing Your Reading Experience
  - Adjustable Fonts and Text Sizes of Fermator Door Vvuf Manual
  - Highlighting and Note-Taking Fermator Door Vvuf Manual
  - Interactive Elements Fermator Door Vvuf Manual
- 8. Staying Engaged with Fermator Door Vvuf Manual
  - Joining Online Reading Communities
  - Participating in Virtual Book Clubs
  - Following Authors and Publishers Fermator Door Vvuf Manual

9. Balancing eBooks and Physical Books Fermator Door Vvuf Manual
  - Benefits of a Digital Library
  - Creating a Diverse Reading Collection Fermator Door Vvuf Manual
10. Overcoming Reading Challenges
  - Dealing with Digital Eye Strain
  - Minimizing Distractions
  - Managing Screen Time
11. Cultivating a Reading Routine Fermator Door Vvuf Manual
  - Setting Reading Goals Fermator Door Vvuf Manual
  - Carving Out Dedicated Reading Time
12. Sourcing Reliable Information of Fermator Door Vvuf Manual
  - Fact-Checking eBook Content of Fermator Door Vvuf Manual
  - Distinguishing Credible Sources
13. Promoting Lifelong Learning
  - Utilizing eBooks for Skill Development
  - Exploring Educational eBooks
14. Embracing eBook Trends
  - Integration of Multimedia Elements
  - Interactive and Gamified eBooks

### **Fermator Door Vvuf Manual Introduction**

In the digital age, access to information has become easier than ever before. The ability to download Fermator Door Vvuf Manual has revolutionized the way we consume written content. Whether you are a student looking for course material, an avid reader searching for your next favorite book, or a professional seeking research papers, the option to download Fermator Door Vvuf Manual has opened up a world of possibilities. Downloading Fermator Door Vvuf Manual provides numerous advantages over physical copies of books and documents. Firstly, it is incredibly convenient. Gone are the days of carrying around heavy textbooks or bulky folders filled with papers. With the click of a button, you can gain immediate access to valuable resources on any device. This convenience allows for efficient studying, researching, and reading on the go. Moreover, the cost-effective nature of downloading Fermator Door Vvuf Manual has democratized knowledge. Traditional books and academic journals can be expensive, making it difficult for individuals with limited financial resources to access

information. By offering free PDF downloads, publishers and authors are enabling a wider audience to benefit from their work. This inclusivity promotes equal opportunities for learning and personal growth. There are numerous websites and platforms where individuals can download Fermator Door Vvuf Manual. These websites range from academic databases offering research papers and journals to online libraries with an expansive collection of books from various genres. Many authors and publishers also upload their work to specific websites, granting readers access to their content without any charge. These platforms not only provide access to existing literature but also serve as an excellent platform for undiscovered authors to share their work with the world. However, it is essential to be cautious while downloading Fermator Door Vvuf Manual. Some websites may offer pirated or illegally obtained copies of copyrighted material. Engaging in such activities not only violates copyright laws but also undermines the efforts of authors, publishers, and researchers. To ensure ethical downloading, it is advisable to utilize reputable websites that prioritize the legal distribution of content. When downloading Fermator Door Vvuf Manual, users should also consider the potential security risks associated with online platforms. Malicious actors may exploit vulnerabilities in unprotected websites to distribute malware or steal personal information. To protect themselves, individuals should ensure their devices have reliable antivirus software installed and validate the legitimacy of the websites they are downloading from. In conclusion, the ability to download Fermator Door Vvuf Manual has transformed the way we access information. With the convenience, cost-effectiveness, and accessibility it offers, free PDF downloads have become a popular choice for students, researchers, and book lovers worldwide. However, it is crucial to engage in ethical downloading practices and prioritize personal security when utilizing online platforms. By doing so, individuals can make the most of the vast array of free PDF resources available and embark on a journey of continuous learning and intellectual growth.

### FAQs About Fermator Door Vvuf Manual Books

**What is a Fermator Door Vvuf Manual PDF?** A PDF (Portable Document Format) is a file format developed by Adobe that preserves the layout and formatting of a document, regardless of the software, hardware, or operating system used to view or print it. **How do I create a Fermator Door Vvuf Manual PDF?** There are several ways to create a PDF: Use software like Adobe Acrobat, Microsoft Word, or Google Docs, which often have built-in PDF creation tools. Print to PDF: Many applications and operating systems have a "Print to PDF" option that allows you to save a document as a PDF file instead of printing it on paper. Online converters: There are various online tools that can convert different file types to PDF. **How do I edit a Fermator Door Vvuf Manual PDF?** Editing a PDF can be done with software like Adobe Acrobat, which allows direct editing of text, images, and other elements within the PDF. Some free tools, like PDFescape or Smallpdf, also offer basic

editing capabilities. **How do I convert a Fermator Door Vvfv Manual PDF to another file format?** There are multiple ways to convert a PDF to another format: Use online converters like Smallpdf, Zamzar, or Adobe Acrobats export feature to convert PDFs to formats like Word, Excel, JPEG, etc. Software like Adobe Acrobat, Microsoft Word, or other PDF editors may have options to export or save PDFs in different formats. **How do I password-protect a Fermator Door Vvfv Manual PDF?** Most PDF editing software allows you to add password protection. In Adobe Acrobat, for instance, you can go to "File" -> "Properties" -> "Security" to set a password to restrict access or editing capabilities. Are there any free alternatives to Adobe Acrobat for working with PDFs? Yes, there are many free alternatives for working with PDFs, such as: LibreOffice: Offers PDF editing features. PDFsam: Allows splitting, merging, and editing PDFs. Foxit Reader: Provides basic PDF viewing and editing capabilities. How do I compress a PDF file? You can use online tools like Smallpdf, ILovePDF, or desktop software like Adobe Acrobat to compress PDF files without significant quality loss. Compression reduces the file size, making it easier to share and download. Can I fill out forms in a PDF file? Yes, most PDF viewers/editors like Adobe Acrobat, Preview (on Mac), or various online tools allow you to fill out forms in PDF files by selecting text fields and entering information. Are there any restrictions when working with PDFs? Some PDFs might have restrictions set by their creator, such as password protection, editing restrictions, or print restrictions. Breaking these restrictions might require specific software or tools, which may or may not be legal depending on the circumstances and local laws.

### **Find Fermator Door Vvfv Manual :**

**dorina de vredestichter**

*dont shoot the clowns taking a circus to the children of iraq*

**donna leon books in order**

**douglas fluid mechanics 5th edition solution manual**

dos espadas 2 gaijin

dont choke a champions guide to winning under pressure

**dont mess with tanya stories emerging from bostons barrios**

**dont cry past tuesday hopeful words for difficult days 2nd edition**

dona lechuza la mas presumida

dos dias de setiembre clasicos castalia c or c

dont waste your life group study kit

dometic duo therm digital thermostat manual

don quijote clasicos hispanicos



*down among peter diamond investigation*

**doug boxes guide to posing for portrait photographers**

**Fermator Door Vvfv Manual :**

french exam year 7 teaching resources - Aug 15 2023

web may 20 2023 this is an end of year exam i have prepared for my year 7 students 12 year olds topics include nationalities languages age food and drink verb regular and irre

**free ks3 french revision seneca** - Jun 01 2022

web aug 12 2016 whether you want to revise the perfect tense and how to talk about school life in french or learn how to talk about music in french seneca can be your personal tutor for revising french we cover everything you need to know for year 7 year 8 and year 9

year 7 french revision end of year test flashcards quizlet - Mar 10 2023

web year 7 french revision end of year test share 5 0 1 review flashcards learn test match je suis click the card to flip

french year 7 end of year revision flashcards quizlet - May 12 2023

web use this quizlet to practise for the end of year test in french learn with flashcards games and more for free

*year 7 french test papers with answers pdfiller* - Feb 26 2022

web a year 7 french test is an examination or assessment given to students in their seventh year of studying french the test typically assesses their knowledge and understanding of various aspects of the french language including vocabulary grammar reading comprehension listening comprehension and writing skills

*french lesson units for year 7 students oak national academy* - Dec 27 2021

web free online french lesson units for year 7 students skip navigation language picker teacher hub specialist subjects year 7 french units year 7 unit 1 14 lessons year 7 unit 2 14 lessons year 7 unit 3 12 lessons year 7 unit 4 10 lessons year 7 unit 5 12 lessons year 7 unit 6 14 lessons

**year 7 revision booklet french ermysted s grammar** - Mar 30 2022

web year 7 unit 1 c est moi liste 1 1 good morning afternoon 2 hi 3 goodbye 4 an exercise book 5 a textbook 6 a little exercise book 7 a pen 8 a pencil 9 a n interactive board 10 some glue liste 1 1 bonjour 2 salut 3 au revoir 4 un cahier 5 un livre 6 un carnet 7 un stylo 8 un crayon

ks3 fast french 30 enjoyable quizzes for years 7 8 and 9 - Jul 02 2022

web home ks3 ks3 fast french quizzes ks3 fast french quizzes enjoyable online practice of key stage 3 for children aged 11 to 14 fast and fun quizzes so you can practice french words you ll need to know to pass tests and exams with flying colours

every quiz has a link at the bottom to [bbc bitesize ks3 french find out about subscriptions free](#)

[ks3 french year 7 end of year revision and vocab](#) - Apr 30 2022

web may 23 2019 this is a vocab sheet and revision activities i have put together for my year 7 french group with this resource you get eight pages document a vocab sheet 25 activities of different sorts crossword translation labeling pictures match up etc this resource covers the following topics

**ks3 french bbc bitesize** - Feb 09 2023

web talking about family and pets in french describing people in french using avoir and être days and months in french telling the time in french using être talking about what you like to

[year 7 french listening speaking reading writing translation](#) - Sep 04 2022

web aug 10 2019 file previews pptx 2 12 mb this is a comprehensive set of resources to teach year 7 french any errors apologies corrected version on there now there is lots of repetition each section revisits and builds on the last

[year 7 annual exam for french emmanuel college gateshead](#) - Aug 03 2022

web what to revise you will need to revise the topics vocabulary and structures from modules 1 3 use your knowledge organisers to help you to do this you ll find a checklist below to help you in your revision module 1 likes and dislikes my survival kit describing yourself talking about other people describing a musician module 2

**french end of year 7 quiz teaching resources** - Jul 14 2023

web jul 18 2021 french end of year 7 quiz subject french age range 11 14 resource type game puzzle quiz file previews ppt 7 82 mb works well with year 7 and weak year 8 adapted from noemie s wonderful resource tes com teaching resource end of term quiz 6017910 a little simplified and with a printable answer sheet slide added to

[year 7 french eoy assessment 2022 flashcards quizlet](#) - Apr 11 2023

web year 7 french end of year assessment 2022 learn with flashcards games and more for free

**a french end of year 7 quiz flashcards quizlet** - Dec 07 2022

web a french end of year 7 quiz get a hint j ai click the card to flip i have click the card to flip 1 40

[year 7 french revision end of year test flashcards quizlet](#) - Oct 05 2022

web start studying year 7 french revision end of year test learn vocabulary terms and more with flashcards games and other study tools

[y7 end of year quiz teaching resources wordwall](#) - Jan 28 2022

web elementary school high school y7 history year 8 end of year quiz gameshow quiz by hy2 year 12 end of year quiz open the box by sarahpimm copy of end of year quiz gameshow quiz by michellexuereb7 german year 7 end of year revision match up

[year 7 french end of year revision worksheet tes](#) - Jun 13 2023

web jul 13 2017 a revision worksheet with three different tasks for year 7 french the first two activities are reading tasks gap fill and finding the errors and the second task is a writing activity translation into french this worksheet is for a high ability group but could be easily adapted for lower sets

**end of year exams highams park school** - Jan 08 2023

web jul 5 2019 end of year exams end of year exams year 7 exam revision pptx9mb year 7 speaking end of year exam 2019 pptx dynamo1foc m2 voclist docx last updated by mr pinel last updated 07 05 2019 more page information

**end of year 7 french quiz teaching resources** - Nov 06 2022

web feb 22 2018 this is an ideal resource for year 7s the quiz is suitable for small or large groups but can also be completed independently the quiz comes with a score sheet and a presentation of the answers topics included are key questions recall french culture fact file numbers crossword 1 20 family word puzzle and mystery phrase heights physical

**apple event 2023 recap iphone 15 price colors apple watch** - Jun 20 2021

web 1 day ago getty images for mtv nsync fans get ready for a blast from the past the beloved boy band has come together once again to record their first new piece of music

*live updates apple event 2023 new iphone 15 and charging port* - Jul 22 2021

web 2 days ago gannett the united states biggest newspaper chain posted two unusual job listings to its site on tuesday sept 12 2023 they revealed they are hiring a reporter

**nsync is set to release its first new single in more than 20** - Feb 14 2021

**the recorder and its music 1962 edition open library** - Dec 07 2022

web get textbooks on google play the recorder and its music 176 pages preface on august 20th and september 5th 1977 two extraordinary spacecraft called voyager were

[apple music is now a major player in the record business and](#) - Oct 25 2021

web sep 12 2023 usa today apple unveiled its latest products including the new iphone 15 models and series 9 apple watch during its annual september event in cupertino

*download music recorder best software apps softonic* - Jan 16 2021

[history of the recorder from its revival to present day](#) - Jun 01 2022

web the recorder has a wide repertoire both written expressly for it and also adapted for it following is a list of wikipedia articles on music written expressly for the recorder

*the recorder and its music amazon com* - Feb 09 2023

web the recorder and its music by edgar hunt 1962 h jenkins edition in english

[list of recorder music wikipedia](#) - Jan 28 2022

web 1 day ago der wald opera in one act by ethel smyth album artwork photograph adam binks resonus classics this der wald s first recording argues its case persuasively

**the recorder and its music by edgar hunt open library** - Jan 08 2023

web 6 total ratings 2 with reviews translate all reviews to english from the united states david lee best book ever written on the subject reviewed in the united states on july 12

**the recorder and its music 1977 edition open library** - Apr 11 2023

web may 31 2013 story of the recorder from the middle ages with an account of its music read more previous page print length 184 pages language english publisher

[ethel smyth der wald review an operatic pioneer finally gets](#) - Sep 23 2021

web 1 day ago justin timberlake uploaded a clip from the band s recent recording session of the new song better place the beloved 90s boy band is getting ready to release their

[the recorder and its music hunt edgar amazon in books](#) - Apr 30 2022

web recorders the recorder is a musical instrument that is a type of flute it is shaped like a tube with one end bigger than the other end a recorder player puts the bigger end in

**the recorder and its music by edgar hunt goodreads** - Aug 03 2022

web recorder musical instrument instruction and study contents foreword by dr carl dolmetsch the origin of the recorder the history of the recorder part i the history of

*recorder definition meaning dictionary com* - Aug 23 2021

web 2 days ago sept 13 2023 11 56 am pt taylor swift and matty healy are never ever ever getting back together not even to collaborate on a song apparently a representative

[largest us newspaper chain is hiring taylor swift and beyoncé](#) - Mar 18 2021

**the recorder and its music worldcat org** - Mar 30 2022

web this book is an account written by those chiefly responsible for the contents of the voyager record of why we did it how we selected the repertoire and precisely what the record

[the recorder and its music hunt edgar amazon co uk books](#) - Mar 10 2023

web the recorder and its music by edgar hunt 1963 w w norton edition in english 1st american ed

**the recorder it s an instrument not a toy yamaha** - Oct 05 2022

web the recorder is an instrument that was already fully formed in the first half of the 18th century however as it was completely forgotten by people for a period of time its

*the recorder and its music edgar hunt google books* - Nov 25 2021

web sep 12 2023 olivia rodrigo released the music video for her new song get him back minutes after apple s wonderlust iphone 15 event the grammy winning recording

*recorder simple english wikipedia the free encyclopedia* - Dec 27 2021

web recorder definition a person who records especially as an official duty see more

**the recorder and its music by edgar hunt open library** - May 12 2023

web the recorder and its music by edgar hunt 1977 eulenberg books edition in english rev ed

[the recorder and its music hunt edgar 1909 2006](#) - Aug 15 2023

web the recorder and its music by edgar hunt f t c l l r a m m r s t when i speak of the recorder as a musical instrument i do so knowing that you cannot

**nsync s new song justin timberlake shares behind the** - May 20 2021

web download music recorder free and safe download download the latest version of the top software games programs and apps in 2023

[the recorder and its music edgar hunt google books](#) - Sep 04 2022

web select the department you want to search in

**history of the recorder its golden age yamaha corporation** - Feb 26 2022

web sep 7 2023 opinion apple s making music now owning a record label may be new for apple but it s not new for the electronics industry linn makers of audiophile turntables

**the recorder and its music 1962 edition open library** - Dec 15 2020

**the recorder and its music proceedings of the royal musical** - Jun 13 2023

web dec 15 2009 the recorder and its music by edgar hunt 1972 barrie jenkins edition in english

**matty healy and the 1975 aren t featured on taylor swift s re** - Apr 18 2021

web the recorder and its music by edgar hunt 1962 barrie and jenkins edition in english it looks like you re offline donate  
Čeština cs deutsch de english en español es

[the recorder and its music pdf recorder musical instrument](#) - Jul 14 2023

web when i speak of the recorder as a musical instrument i do so knowing that you cannot fail to have heard the instrument

at some time as it is now once again an integral part of our

**the origins of the recorder the birth of the recorder** - Jul 02 2022

web from the time of the classical period when works by mozart and beethoven became well known orchestras began to develop but with its limited volume the recorder was

**amazon com customer reviews the recorder and its music** - Nov 06 2022

web the recorder and its music 176 pages hardcover published january 1 1962 book details editions about the author edgar hunt 13 books ratings

curriculum guides curriculum instruction and assessment - Jan 28 2022

web believe in yourself curriculum guides mastery manager linguistics culture literacy mathematics professional development training center schedule todd county school

**spacing guide multigradeclassroom com** - Oct 25 2021

web spacing guide there is no one size fits all when it comes to curriculum and instruction much depends on your unique circumstances flexibility creativity and adaptability are

**spacing guides second grade miami dade florida state university** - Dec 07 2022

web spacing guides second grade miami dade 1 3 downloaded from epls fsu edu on june 21 2023 by guest ebooks spacing guides second grade miami dade

*teaching and learning resources pre service teacher online* - Apr 11 2023

web miami dade county public schools human resources development button button button district website home plus about message from chief human capital

dadeschools net - Jul 02 2022

web second grade third grade fourth grade fifth grade sixth grade seventh grade eighth grade comprehensive science earth space science honors ninth grade biology i

spacing guides second grade miami dade florida state university - Nov 06 2022

web spacing guides second grade miami dade miami university provides a number of resources and supportive measures for students students are encouraged to seek

**spacing guides second grade miami dade pdf uniport edu** - Aug 03 2022

web sep 7 2023 spacing guides second grade miami dade 1 4 downloaded from uniport edu ng on september 7 2023 by guest spacing guides second grade miami

**curriculum spacing guide miami dade county public** - Feb 09 2023

web miami dade county public schools curriculum and instruction science secondary science curriculum spacing guide

background this document was created by the

*miami dade county public schools district pacing* - Nov 25 2021

web miami dade county public schools instructional focus calendar grade 5 course code 5020060 curriculum and instruction science page 4 of 4 fourth nine weeks

**pacing guides second grade miami dade florida state university** - Mar 30 2022

web pacing guides second grade miami dade 1 1 downloaded from insys fsu edu on july 3 2023 by guest ebooks pacing guides second grade miami dade if you ally habit

*miami dade county public schools 2013 2014 district* - Jun 01 2022

web miami dade county public schools 2013 2014 district pacing guide grade 5 course code 5020060 office of academics and transformation science topic xvii

**2021 2022 instructional continuity plan miami dade** - Sep 23 2021

web aug 25 2021 the 2021 2022 instructional continuity plan icp sets expectations relative to how students will continue receiving a quality education if they are required to self

*pacing guides second grade miami dade pittsburgh post gazette* - Dec 27 2021

web pacing guides second grade miami dade 0830ec8c4cad0f57d96e4989947b912 inspiring the brain to think augmented and faster can be undergone by some ways

[miami dade county public schools district pacing guide](#) - Sep 04 2022

web district pacing guide english 3 11th grade course code 100137001 strand body of knowledge reading process literary analysis writing process miami dade

**the school board of miami dade county florida** - Oct 05 2022

web school board administration building 1450 n e 2nd avenue miami florida 33132 305 995 1000 dadeschools net february 2 2023 dear parents and students

**pacing guides for eto teched dadeschools net** - Jan 08 2023

web pacing guides cte standards for sip plan courses when printing 14 pacing guides set miami dade county public schools career technical education 1100

**results for miami dade pacing guide template 2022 2023 tpt** - Feb 26 2022

web browse miami dade pacing guide template 2022 2023 resources on teachers pay teachers a marketplace trusted by millions of teachers for original educational

**miami dade county public schools 2021 2022 district** - Mar 10 2023

web aug 30 2021 miami dade county public schools 2021 2022 district pacing guide grade 3 course code 5020040 access

code 7720040e1 office of

**curriculum resources at a glance elementary school** - Aug 15 2023

web streaming plus grades digital resource prek 5 real world connections with concepts introduced during the lesson links are embedded within the district pacing guides

**pacing guides second grade miami dade liululu** - Apr 30 2022

web plainly put the pacing guides second grade miami dade is widely consistent with any devices to read you can obtain it while function pomposity at home and even in your

*miami dade county public schools district pacing guide* - May 12 2023

web miami dade county public schools district pacing guide division of academics department of mathematics page 2 of 15 topic i first nine weeks algebra 1a

**curriculum instruction resources pre service teacher online** - Jun 13 2023

web teams of curriculum and instruction content area specialists develop content specific curriculum aligned to the state s standards additionally they create curriculum

**2021 2022 instructional continuity plan miami dade** - Jul 14 2023

web aug 25 2021 miami dade county public schools 8 updated august 25 2021 teacher provides students with instructions assignments and resources using the district s